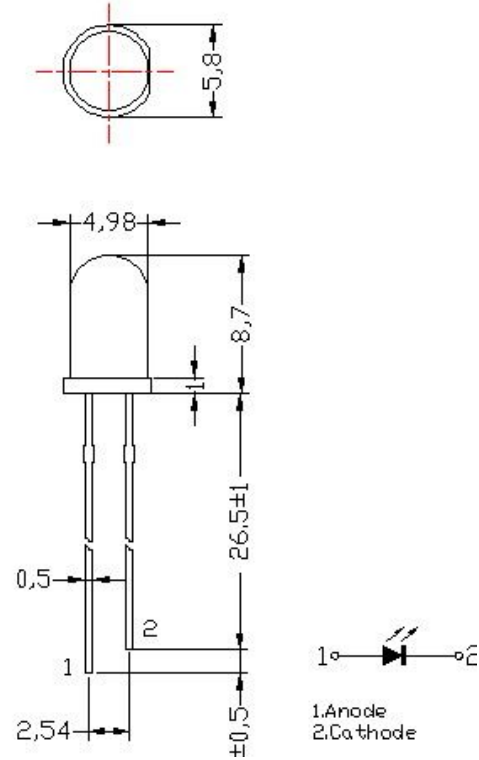


Figure And Size

Package Dimensions And Materials



Chip		Lens Color
Material	Emitting Color	Water Clear
InGaN	Purple	

Notes:

- 1.All dimension units are millimeters
- 2.All dimension tolerance is ± 0.1 mm unless otherwise noted
- 3.An epoxy meniscus may extend about 1.5mm Down the leads
- 4.Burr around bottom of epoxy may be 0.5mm Max.



Characteristics Parameter at Ta=25°C Tj≤80°C If=20mA							
Part Number	Emitting Color	Wavelength λ ρ (nm)	Lens Type	Forward Voltage V _f (V)	Luminous intensity (mcd)	Ray radiation Power P(mW)	Viewing Angle (°)
TH-UV365S2 E-5	Purple	365-370	Water Clear	3.2-4.0		2MW	15±5
Absolute Maximum Ratings at Ta=25°C							
Characteristic				Symbol	MAX	Unit	
Power Dissipation				P _D	72	mW	
Peak Forward Current (1/10 Duty Cycle 0.1ms Pulse Width)				I _{FP}	80	mA	
Reverse Voltage				V _R	5	V	
Reverse Current				I _R	5	μ A	
Operating Temperature				T _{opr}	-40—80	°C	
Storage Temperature				T _{spr}	-40—100		
Lead Soldering Temperature(5mm From Body)				T _{sol}	260 (≤5s)	°C	
NOTES: <ol style="list-style-type: none"> All dimensions are millimeters; Tolerances are ±0.1mm unless otherwise specified. Under the stipulated Characteristics parameters above, the life span of the LED is more than 20,000 hours. The data on this specification is for reference only and the actual data is in accordance with the acknowledgment. 							